

Secure Disc

for fire protection of data media

Ever thought about what would happen if you had a fire and lost all of your computer data? Statistics show that 80% of all companies that lose their computer data are out of business in three months. The answer is to protect your valuable data media with the Secure Disc.



Styled to fit any environment, the Secure Disc is a safe designed for the protection of data media whilst offering up to 60 minutes of fire protection.

Model

The Secure Disc is available in two models. Secure Disc 36 is a dedicated computer media protection cabinet and specially designed to equip CD/DVD's. Secure Disc 52 is a larger unit that has a section protecting computer media and a separate section for protecting documents for which a shelf is provided.



Locking

All safes are available with an user friendly electronic pin-code or security key lock.

Certification

Both Secure Disc models are tested and certified to NT Fire 017 – 60 Diskette, which means that your computer data is protected even after being subjected to a fire lasting 60 minutes. Due to the insulated walls and special insert the internal temperature will not raise above 52°C.

Additional features

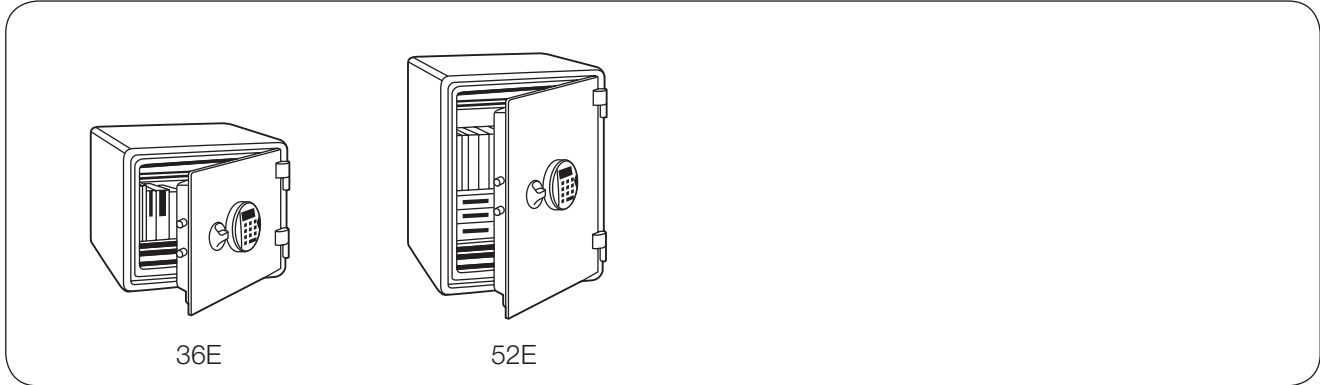
The insert is equipped with a high quality latch handle which offers an easy opening of the inner compartment and a secure closure. The compartment latch as well as the hinge are in chromium finish.

Design

The Secure Disc range will complement any user environment and are supplied in a modern two-tone colour finish of light grey and dark grey light. The data media insert is finished in off white.

Secure Disc

Models



SLGB.1011.R1

Product data

Key lock

Model	Article No.	External dimensions (mm)			Internal dimensions (mm)			Volume (litres)	Weight (kg)	Shelf (qty)
		Height	Width	Depth	Height	Width	Depth			
SDI-36K	SL03820	360	424	458	150	290	195	7	44	–
SDI-52K	SL03821	520	410	445	320	210	195	13	71	1

Electronic lock

Model	Article No.	External dimensions (mm)			Internal dimensions (mm)			Volume (litres)	Weight (kg)	Shelf (qty)
		Height	Width	Depth	Height	Width	Depth			
SDI-36E	SL03800	360	424	458	150	290	195	7	44	–
SDI-52E	SL03801	520	410	445	320	210	195	13	71	1

SecureLine policy is one of constant improvement. The above specification may therefore be altered without prior notification.

www.Secure-Line.net

Authorised dealer:



from **Chubb**safes